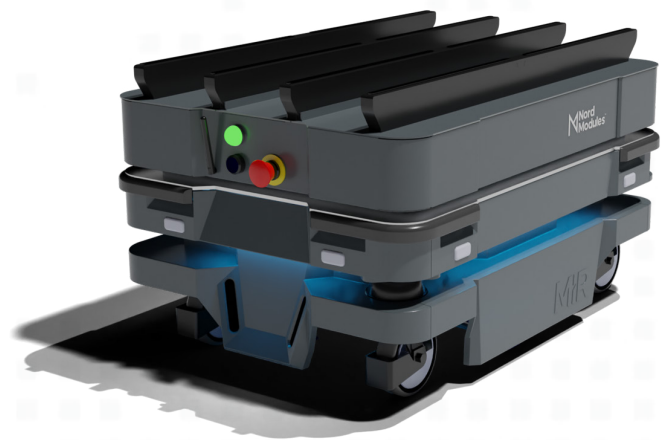


# NORD QM220-MiR

The NORD Quick Mover 220 is capable of transporting goods to and from The Nord Modules Gates as well as picking up and delivering the NORD Shelf Cart SC300.

The top module is mounted on top of the MiR250 and functions by a lifting mechanism integrated into the module.

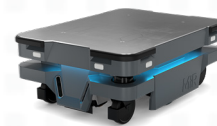


## NORD compatibility



Gates & Shelf Cart

## MiR compatibility



MiR250

Designated use	For autonomous pickup and delivery of goods
Robot compatibility	MiR250
Nord Modules compatibility	On-The-Fly, Basic and Wheel Gates   Shelf Cart
Weight	30 kg   66 lbs
Color	RAL 7011
Max lifting capacity	220 kg   551 lbs
Expected lifespan	Minimum 600 000 lift at max payload
Lifting speed	Up: 3.5 s - Down: 3.5 s
Data collection	Error codes + data transfer to AMR

*Disclaimer*

*Specifications may vary based on local conditions and application*



Flexible standard product



Zero to low maintenance



Simple setup & installation

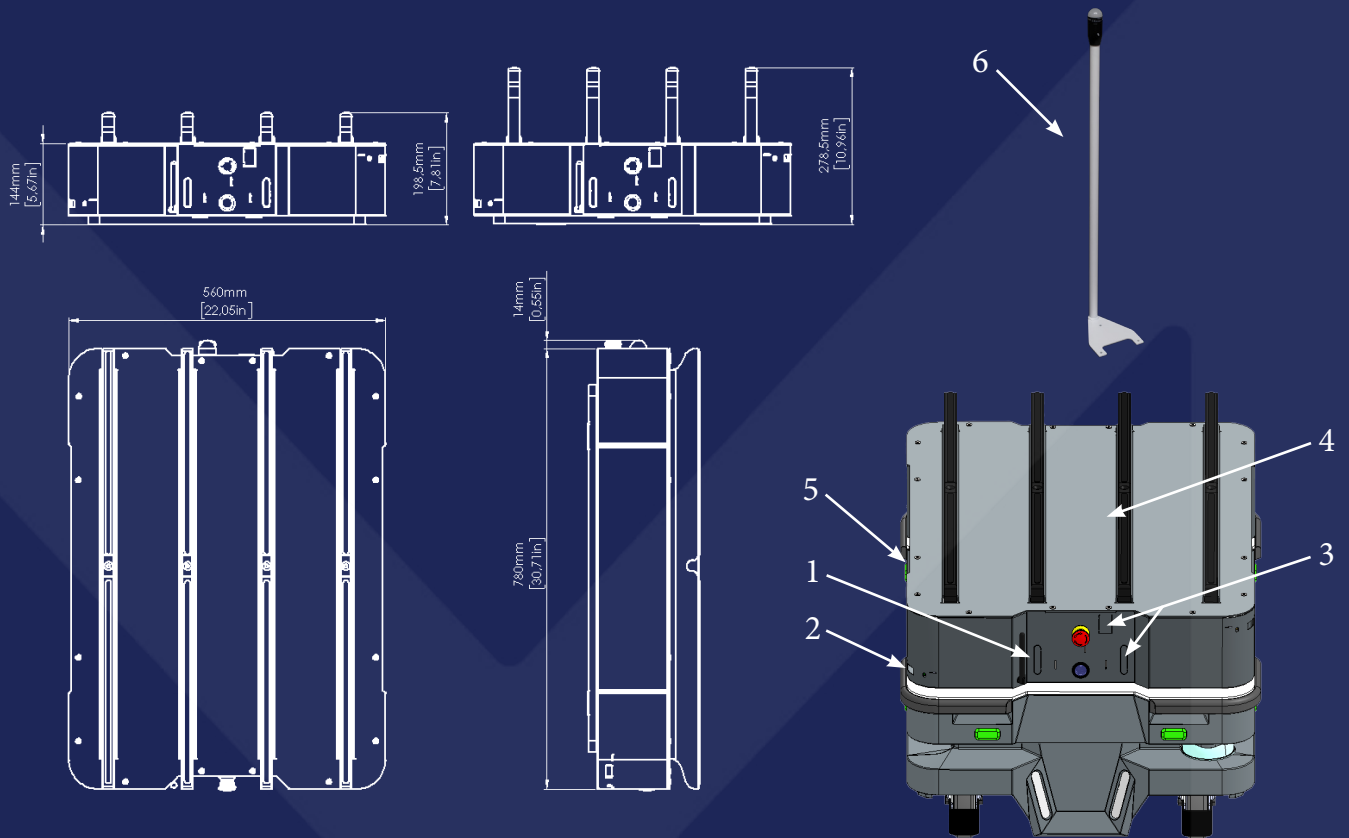


High industrial level of quality



Reliable and cost-efficient

# Specifications



## Optional Add-ons

1. Payload detection sensor	Detects whether there is an object on the gate
2. Side sensor	For compatibility with On-The-Fly Gate
3. Barcode system (QR scanner)	For scanning QR/barcode on goods on gate
4. Payload detection sensor	Detects whether there is an object on the QM
5. Payload measurement kit	Weighing the load being transported
6. Stack light tower	Extra visibility of the stack light

## Dimensions

Length	794 mm   31.25 in
Width	560 mm   22.05 in
Height	198.5 / 278.5 mm   7.81 / 10.96 in
Lifting height	80 mm   3.15 in
Total height (when mounted on AMR)	498.5 / 578 mm   19.63 / 22.75 in
Center distance between slats	140 mm   5.5 in
Transport area	780 x 560 mm   30.7 x 22.05 in